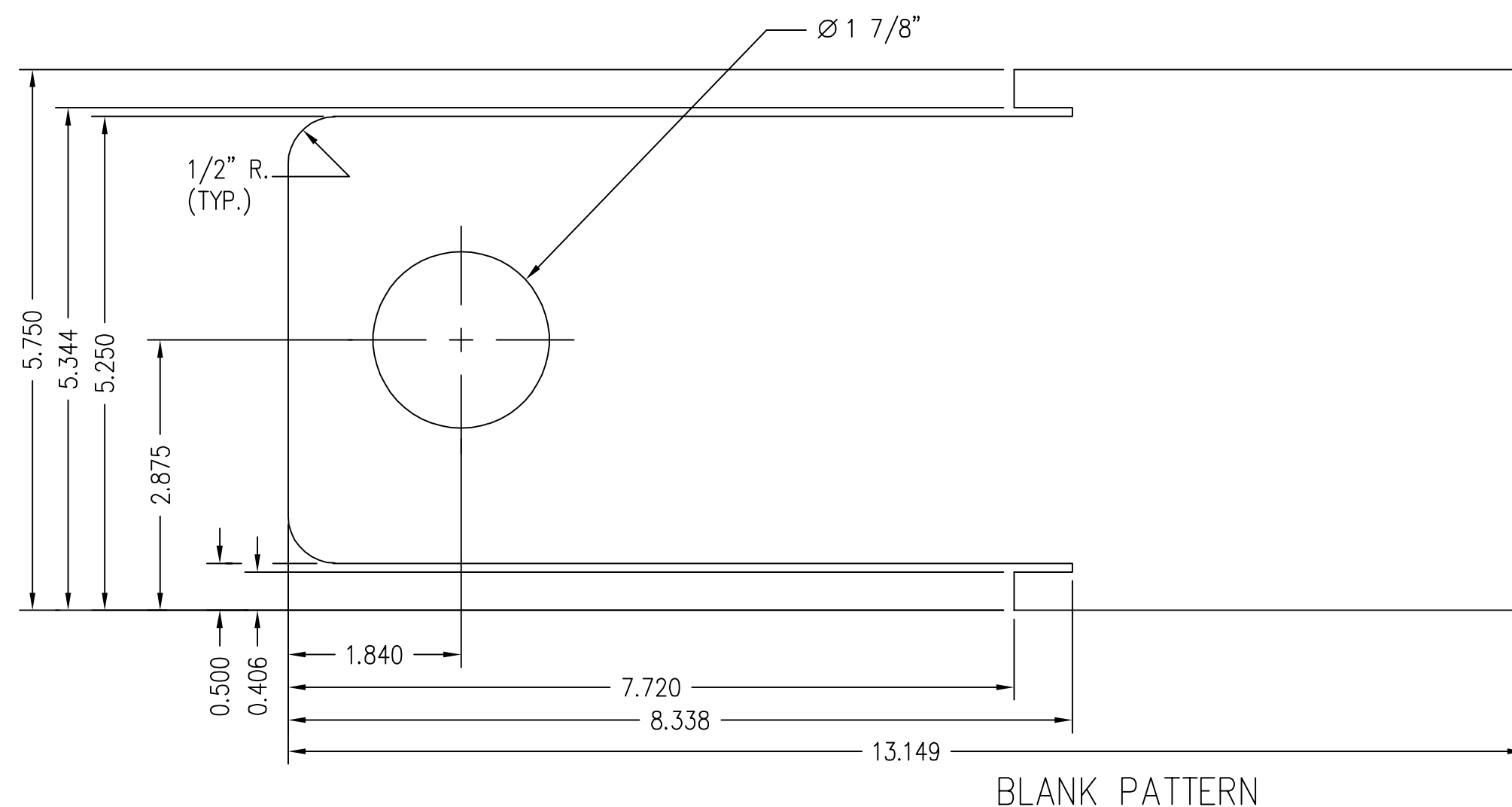
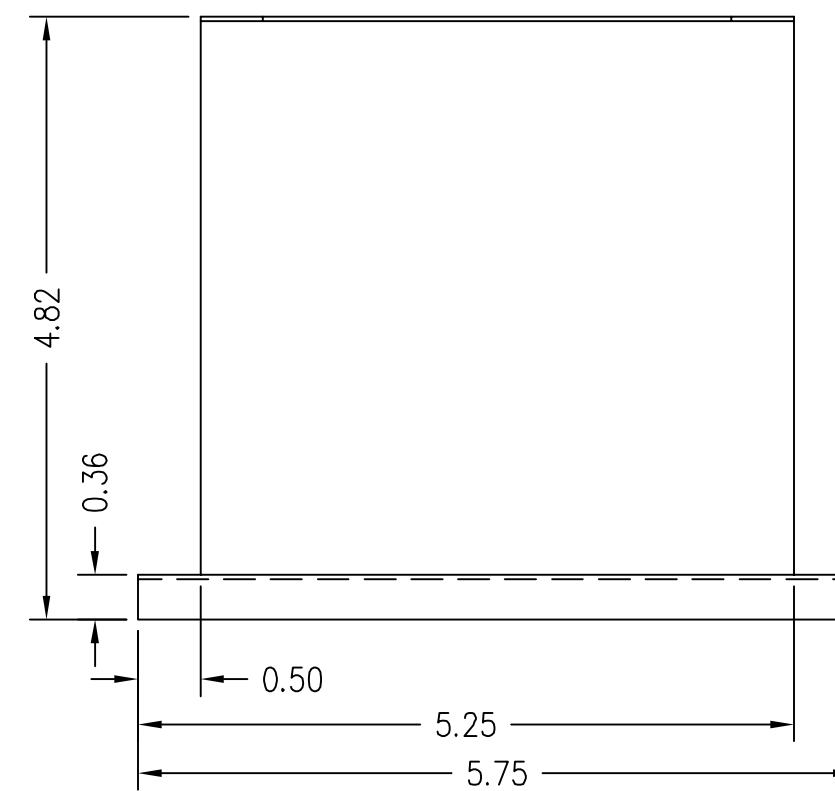
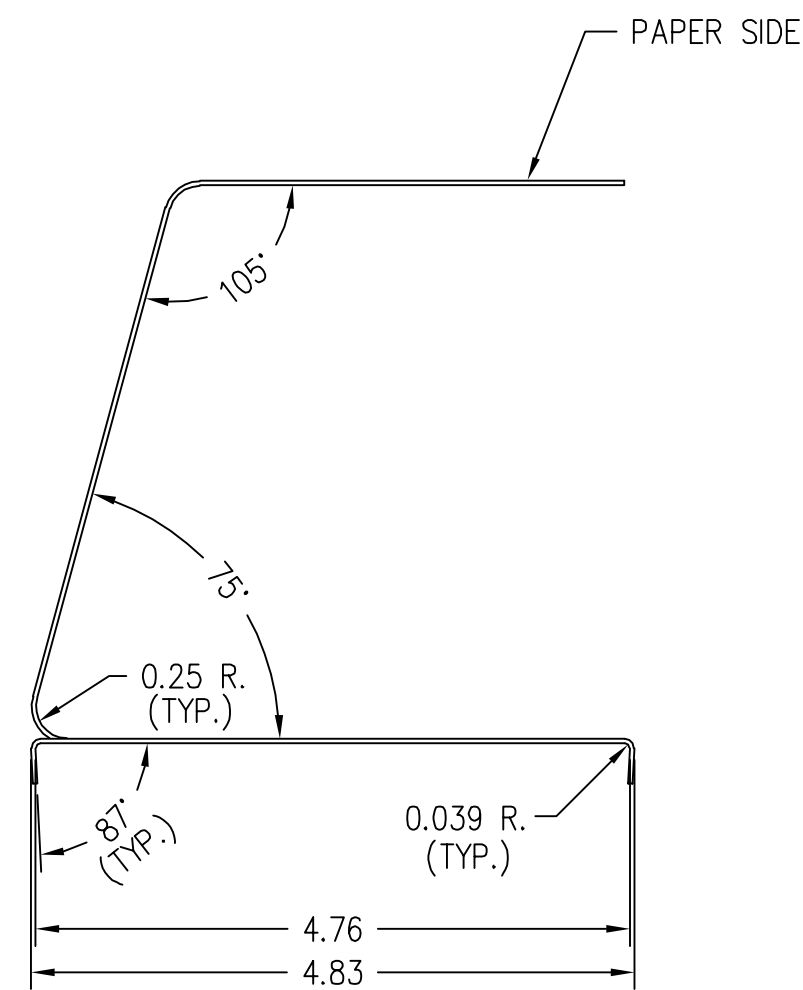
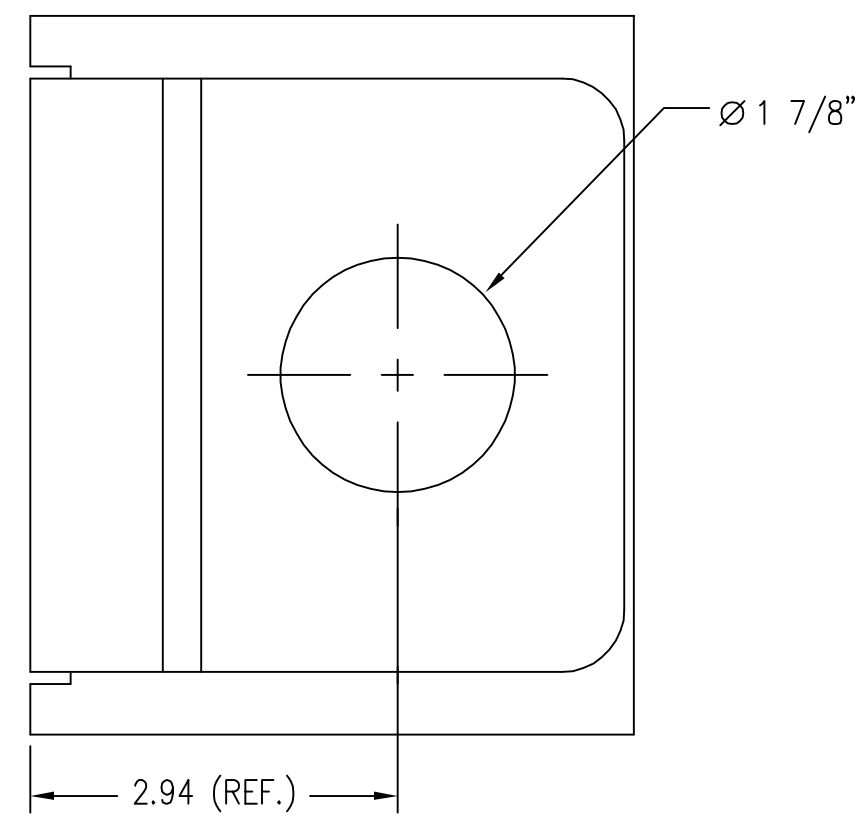


REVISION RECORD

LTR	DESCRIPTION	DATE	BY
A	RELEASE TO PRODUCTION	7,3,07	24021 EMJ



BLANK PATTERN

SS 20GA.(0.036) #8/PVC TYPE 304

QTY.	QTY.	QTY.	ITEM	PART/DWG. NUMBER	DESCRIPTION	MATERIAL OR SOURCE	WT. EACH
			ASSY				

WT.	PARTS/MATERIAL LIST

UNLESS OTHERWISE SPECIFIED TOLERANCE ON DIMENSIONS ARE:
 ANGLES $\pm 1/2^\circ$
 INTEGERS/FRACTIONS $\pm 1/16$ IN.
 DECIMALS (.X) $\pm .03$ IN.
 DECIMALS (.XX) $\pm .01$ IN.
 DECIMALS (.XXX) $\pm .005$ IN.
 NOTE: WHOLE NUMBERS MUST BE WRITTEN XX.000 TO INVOKE DECIMAL TOLERANCES.



TITLE: FAB.: CONE HOLDER, ONE HOLE
 SCALE: NTS
 DO NOT SCALE DRAWING
 NEXT ASSEMBLY

THIS DRAWING IS THE PROPERTY OF THE CARDINAL SCALE MFG. CO. AND SHALL NOT BE USED NOR REPRODUCED EITHER WHOLLY OR IN PART EXCEPT WITH WRITTEN AUTHORIZATION. ALL RIGHTS OF DESIGN OR INVENTION ARE RESERVED.

DR. EMJ	DATE 7/3/07	CH.	DATE	MODEL ICH1	SHEET 1 OF 1	DWG. NO. 8528-C049-08	REV. A
---------	-------------	-----	------	------------	--------------	-----------------------	--------