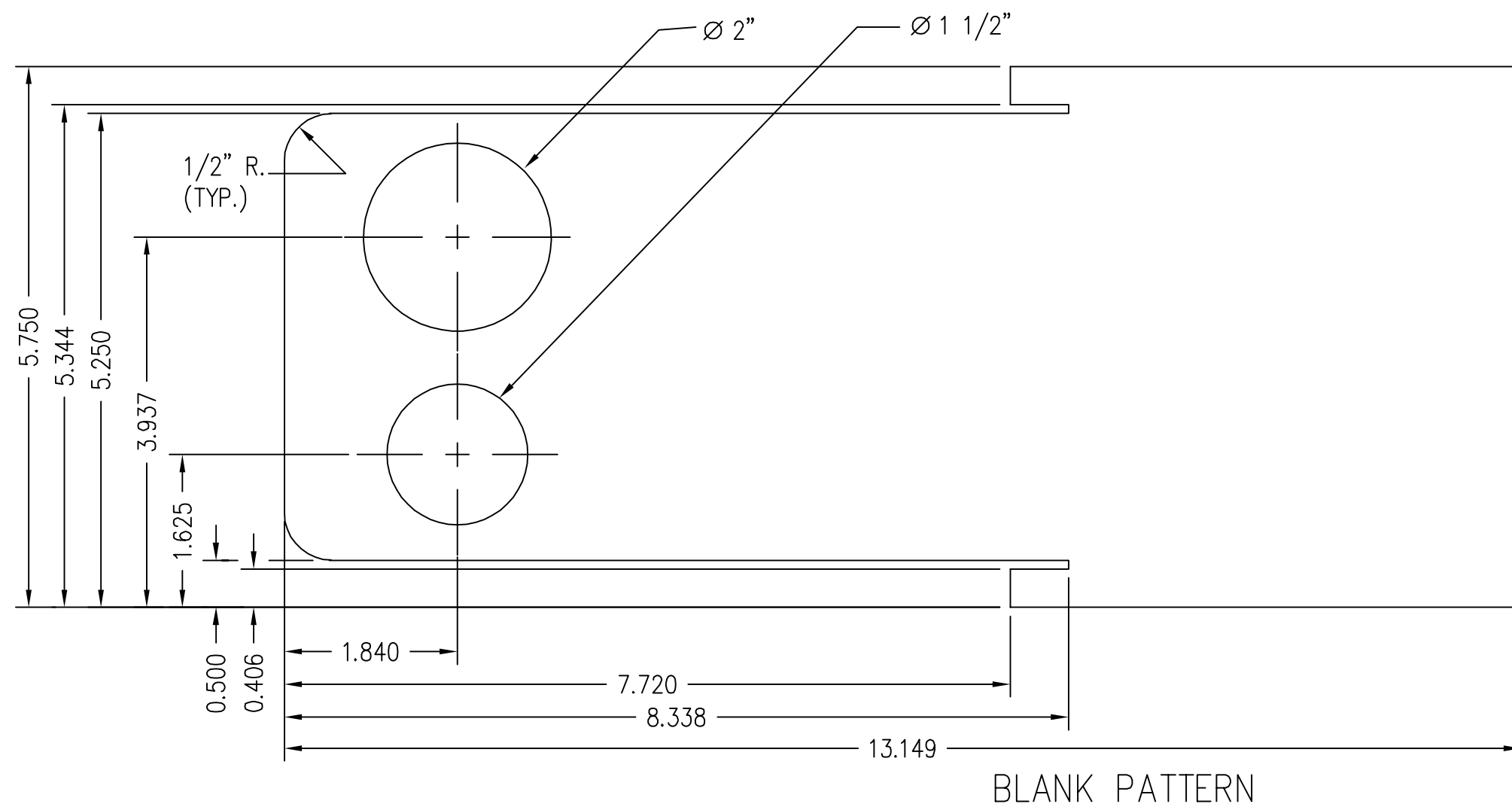
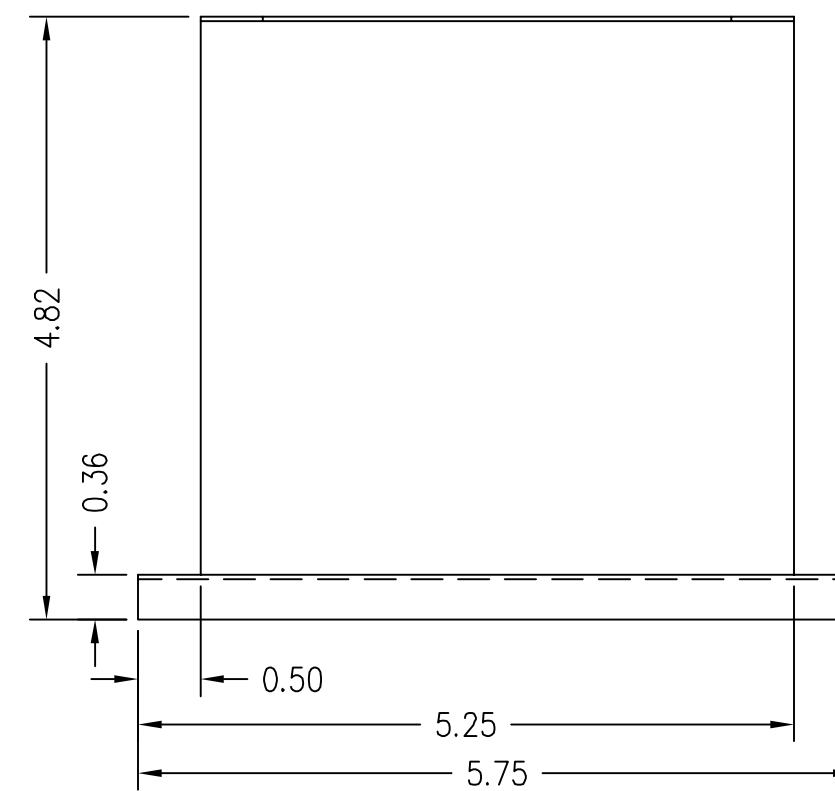
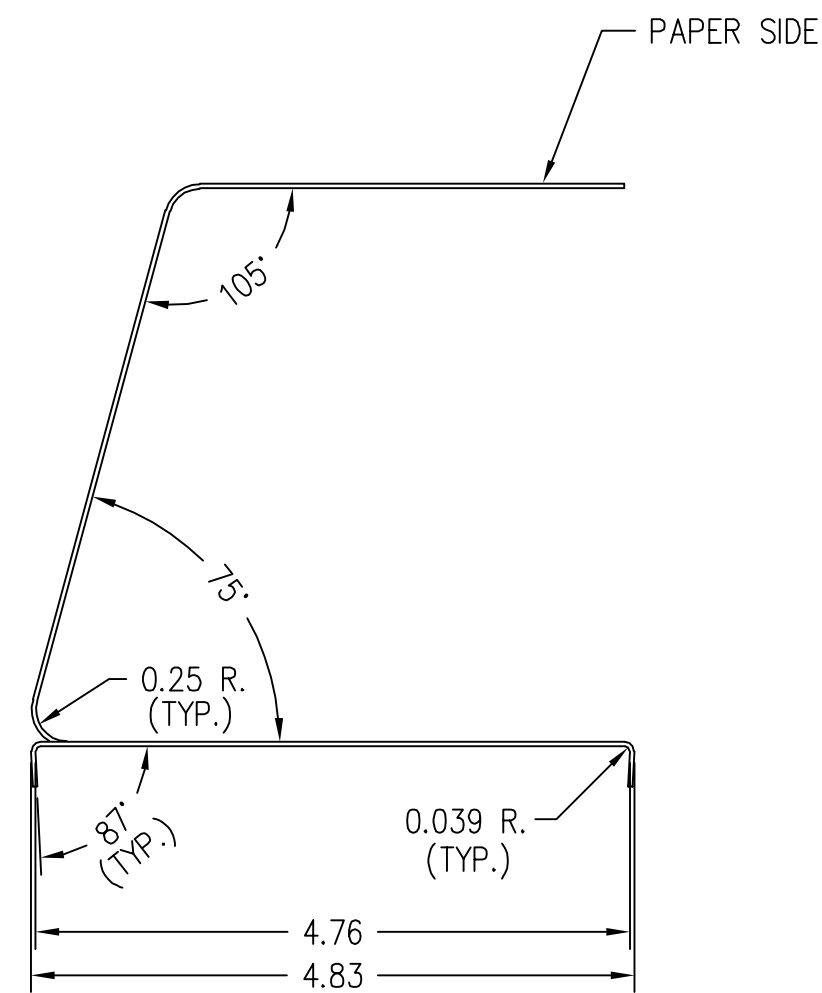
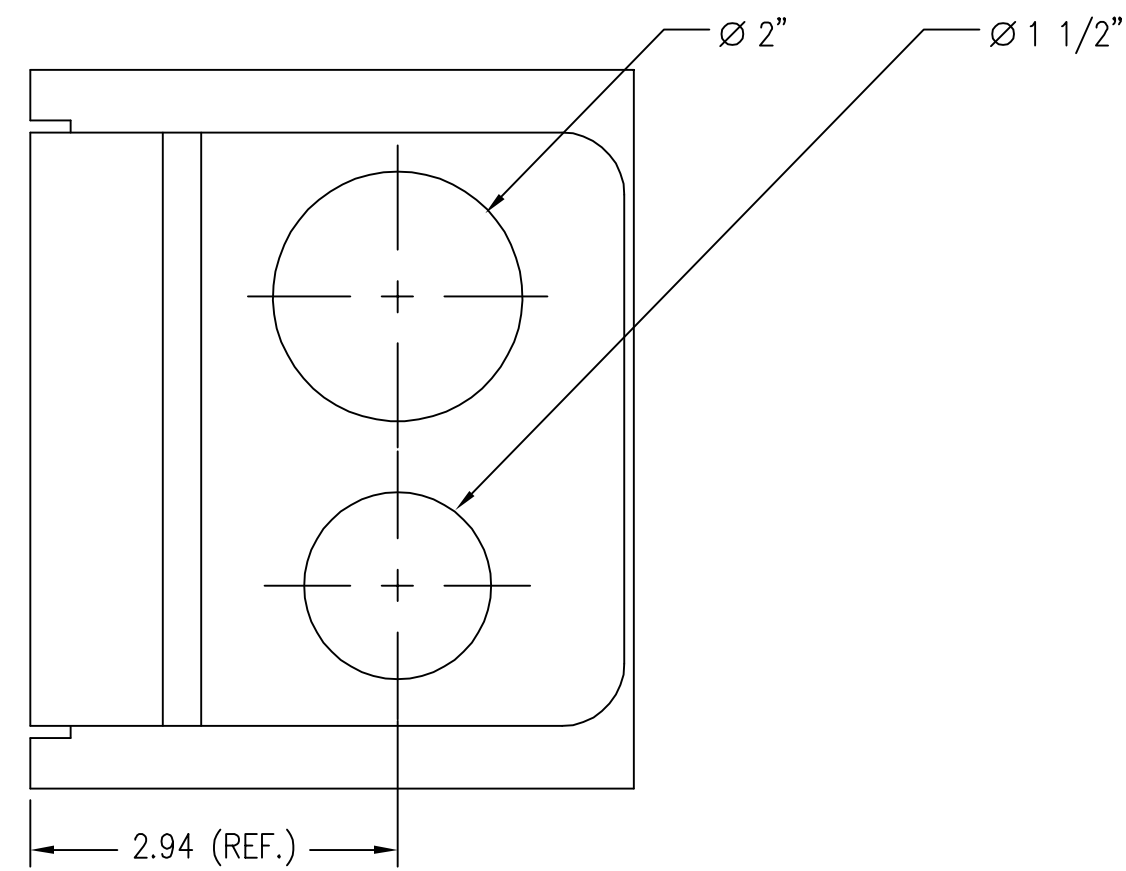


REVISION RECORD

LTR	DESCRIPTION	DATE	BY
A	RELEASE TO PRODUCTION	7,3,07	24021 EMJ



BLANK PATTERN

SS 20GA. (0.036) #8/PVC TYPE 304

QTY.	QTY.	QTY.	ITEM	PART/DWG. NUMBER	DESCRIPTION	MATERIAL OR SOURCE	WT. EACH
			ASSY				

WT.	PARTS/MATERIAL LIST

UNLESS OTHERWISE SPECIFIED TOLERANCE ON DIMENSIONS ARE:
 ANGLES ± 1/2°
 INTEGERS/FRACTIONS ± 1/16 IN.
 DECIMALS (.X) ± .03 IN.
 DECIMALS (.XX) ± .01 IN.
 DECIMALS (.XXX) ± .005 IN.
 NOTE: WHOLE NUMBERS MUST BE WRITTEN XX.000 TO INVOKE DECIMAL TOLERANCES.



TITLE FAB.: CONE HOLDER, TWO HOLE			
SCALE	NTS	DO NOT SCALE DRAWING	NEXT ASSEMBLY
DR. EMJ	DATE 7/3/07		
CH.	DATE	*8528-C048-08*	
MODEL ICH2	SHEET 1 OF 1	DWG. NO. 8528-C048-08	REV. A